

Energy Saving HRC Fuse-Links

Cylindrical, Bolted & Blade Type

About us

Larsen & Toubro infuses engineering with imagination. The Company offers a wide range of advanced solutions in the field of Engineering, Construction, Electrical & Automation, Machinery and Information Technology.

L&T Switchgear, a part of the Electrical & Automation business, is India's largest manufacturer of low voltage switchgear, with the scale, sophistication and range to meet global benchmarks. With over five decades of experience in this field, the Company today enjoys a leadership position in the Indian market with a growing international presence.

It offers a complete range of products including powergear, controlgear, industrial automation, building electricals & automation, reactive power management, energy meters, and protective relays. These products conform to Indian and International Standards.



Switchgear Factory, Mumbai



Switchgear Factory, Ahmednagar

HRC Fuse-links Cylindrical & Blade Type

L&T, India's largest manufacturer of low tension switchgear, offers the new generation of low watt loss HRC fuse-links designed as per the new IS 13703 / IEC 60269 standards.

Type HF & HN



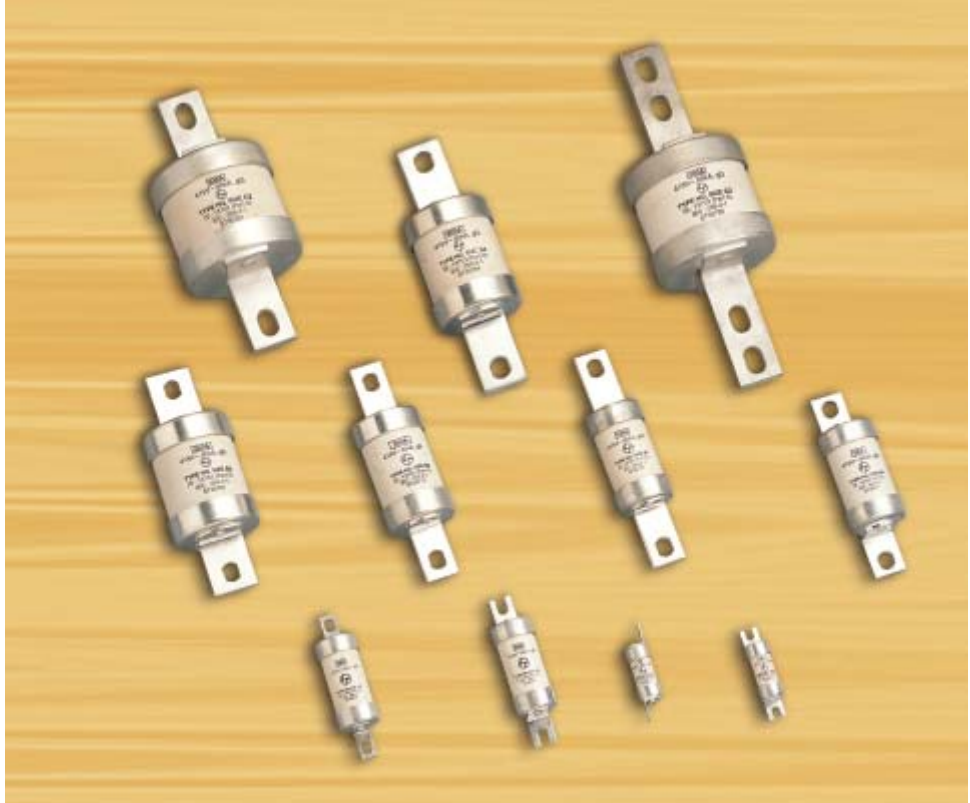
Features & Benefits

- HF 2 - 63A & HN 63 - 800A
- High breaking capacity: 80kA for HF Type & 100kA for HN Type
- Unique offerings: 63A Cylindrical Fuse
125A in Size 000 DIN Type
- Fuse blown indication: Through a red pop-up indicator
- Low let through energy
- Low watt loss leading to power saving and cooler running of associated products like SDFs
- Conform to IS 13703 (Part 2) / IEC 60269-2
- Suitable fuse base & fuse pulling handle



HRC Fuse-links Bolted Type

Type HG & HQ



Features & Benefits

- HG 2 - 32A & HQ 2 - 630A
- Breaking capacity: 80 kA at 415 V. for HG & HQ Fuses
- Fuse Size: F1 / A1 - A4 / B1 - B4 / C2 - C3 Sizes - from 2 Amp. to 630 Amp.
- Low watt losses ensuring that associated equipment runs cooler
- Can be used with FN series SDF suitable for Bolted type fuses
- Suitable fuse base



Technical Data

Selection Chart for Cylindrical Type Fuse-Links - HF

- Rated Voltage : 415 V • Rated Breaking Capacity : 80 kA at 415 V

Size of the fuse link	Rating (A)	Description	Cat. Nos.	Rated watt loss (W)	Watt loss limits as per IS 13703 (W)	Suitable for S-D-F Units type FN / FNX or Equivalent
Size 14x51	2	Suitable for Type FN 32 / 63 / FNX 32/ 63 S-D-F. Also for HCO 32 Fuse base	SF90144	0.6	5	32, 63
	4		SF90145	0.6		32, 63
	6		SF90146	1.1		32, 63
	8		SF90147	1.2		32, 63
	10		SF90148	1.0		32, 63
	16		SF90150	2.4		32, 63
	20		SF90151	2.4		32, 63
	25		SF90152	3.2		32, 63
	32		SF90142	5.0		32, 63
	40	Suitable for Type FN 63/ FNX 63 S-D-F Also for HC 63 Fuse base	SF90143	5.0	7	63
	50		SF90158	5.0		63
	63		SF90159	7.4		63



HF 63A



HF 2A

Selection Chart for Blade Type Fuse-Links - HN

- Rated Voltage : 415 V • Rated Breaking Capacity : 100 kA at 415 V

Size of the fuse link	Rating	Cat. Nos.	Rated watt loss (W)	Watt loss limits as per IS 13703	Suitable for S-D-F units type FN / FNX or Equivalent
Size 000	63 A	SF94940	5.3	100 Amp, Fuse-7.5 W	100, 125, 160
	80 A	SF94941	6.2		100, 125, 160
	100 A	SF94942	7		100, 125, 160
	125 A	SF94946	8.5		100, 125, 160
Size 00	63 A	SF94027	5.7	100 Amp, Fuse-7.5 W	100, 125, 160
	80 A	SF94028	6.9		100, 125, 160
	100 A	SF94029	7.5		100, 125, 160
	125 A	SF94030	9.8		125, 160
	160 A	SF94939	12		160
Size 0	80 A	SF94128	8.3	160 Amp, Fuse-16 W	200
	100 A	SF94129	9.1		200
	125 A	SF94130	11.3		200
	160 A	SF94131	12.7		200
	200 A	SF94132	14.5		200
Size 1	125 A	SF94230	10.3	250 Amp, Fuse-23 W	250, 315
	160 A	SF94231	12.3		250, 315
	200 A	SF94232	14.3		250, 315
	250 A	SF94233	17.3		250, 315
	315 A	SF94234	25.5		315
Size 2	200 A	SF94332	14.1	400 Amp, Fuse-34 W	400
	250 A	SF94333	16.9		400
	315 A	SF94334	20.2		400
	400 A	SF94335	24.9		400
Size 3	315 A	SF94434	20.5	630 Amp, Fuse-48 W	630, 800
	400 A	SF94435	26.7		630, 800
	500 A	SF94436	36.1		630, 800
	630 A	SF94437	42.2		630, 800
	800 A	SF94938	48		800



000



00



0



1



2



3

*Suitable fuse base & fuse pulling handle are detailed in following pages

Guidelines for selection

- While selecting fuse-links, the following points should be considered :
- Fuse-links type HF & HN are suitable for system voltage up to 415 V+
 - Select the suitable size and rating of fuse-link for switch-disconnector fuse unit as per the fuse selection chart
 - Ensure that the breaking capacity of the fuse link is higher than the prospective fault current
 - Fuses should be selected such that discrimination is achieved with other protective devices in the system

Fuse holders , Fuse bases & Fuse pulling handle suitable for Cylindrical / DIN fuse-links

Rated Current (A)	Type	Description	Suitable fuse-link		Cat. No.
			Type	Range (A)	
32	HCO 32	Fuse holder	HF	2-32	SK91314
63	HC 63	Fuse holder	HF	2-63	SK91043
160	HB 160	Fuse base	HN-Size 000 & 00	63-160	SK90405
250	HB 250	Fuse base	HN-Size 0 & 1	80-250	SK90406
800	HB 800	Fuse base	HN-Size 2 & 3	200-800	SK91051
2-63	HF	Fuse pulling handle	HF	2-63	SK91185
63-800	HN	Fuse pulling handle	HN	63-800	SF90126



HB



HCO

Selection Chart for Bolted type

• Rated Voltage : 415 V • Rated Breaking Capacity : 80 kA • Utilisation Category : gG

Fixing Method	Size	Rating (A)	Description	Cat. No.	Power loss (W)	Watt loss limits as per IS 13703
Offset, staggered	F1	2	Suitable for type HD 20H/20P/20B, HD 32H/32P/32B Fuse base	ST30725	0.3	32 A, Fuse - 3.2W
		4		ST30726	0.5	
		6		ST30727	1.2	
		10		ST30728	1.4	
		16		ST30729	1.8	
		20		ST30730	2.2	
		25		ST30731	2.9	
		32		ST30732	3.0	
Offset	A1	2	---	ST30736	0.3	20 A, Fuse - 2.7W
		4		ST30737	0.5	
		6		ST30738	1.2	
		10		ST30739	1.4	
		16		ST30740	1.8	
		20		ST30741	2.2	
		25		ST30742	2.9	
		32		ST30743	3.0	
	A1L	20	Suitable for type FN 32/63 Switch disconnecter Fuse unit	ST34527	2.4	20 A, Fuse - 3.2W
		25		ST34528	3.1	
		32		ST34529	3.4	
		50		ST35827	4.0	
		63		ST35828	4.7	
	A2	4	Suitable for type HK 32H/32B Fuse base	ST30747	0.8	32 A, Fuse - 4.4W
		6		ST30748	1.4	
		10		ST30749	1.5	
		16		ST30750	2.0	
		20		ST30751	2.8	
		25		ST30752	3.8	
		32		ST30753	4.4	
	A3	35	Suitable for type FN 100 Switch disconnecter Fuse unit, also for HK 63B/63H Fuse base	ST30759	4.5	63 A, Fuse - 6.9W
		50		ST30760	6.2	
		63		ST30761	6.8	
	A4	80	Suitable for type FN 100/125/160 Switch disconnecter Fuse unit, also for HK 125H/125B Fuse base	ST30767	9.1	100 A, Fuse - 9.1W
100		ST30768		9.5		
125		ST30769		14		
160		ST35829		-		



F1



A1



A1 L



A2



A3

Selection Chart for Bolted type Fuse Links - HG & HQ

• Rated Voltage : 415 V • Rated Breaking Capacity : 80 kA • Utilisation Category : gG

Fixing Method	Size	Rating (A)	Description	Cat. No.	Power loss W	Watt loss limits as per IS 13703
Centre Tag, 2 holes	B1	80	Suitable for type FN 200 Switch disconnecter Fuse unit	ST30774	9.2	100 A, Fuse - 9.1W
		100		ST30775	10.5	
		125		ST30776	16.0	
	B2	125	Suitable for type FN 200/250 Switch disconnecter Fuse unit	ST30777	15.0	200 A, Fuse - 17W
		160		ST30778	19.5	
		200		ST30779	20.5	
	B3	250	Suitable for type FN 250/315 Switch disconnecter Fuse	ST30781	28	250 A, Fuse - 32W
		315		ST30782	32	
	B4	355	Suitable for type FN 400 Switch disconnecter Fuse unit	ST30783	34	400 A, Fuse - 40W
		400		ST30784	38	
Centre Tag, 4 holes	C2	400	Suitable for type FN 630 Switch disconnecter Fuse unit	ST30785	38	630 A, Fuse - 55W
		500		ST30786	50	
		630		ST30787	55	
	C3	630	-	ST30788	55	



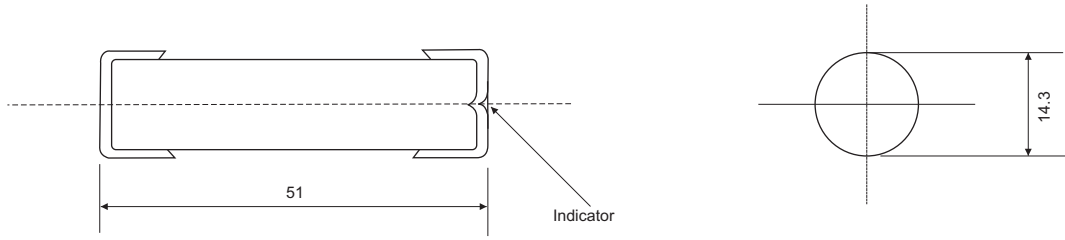
Fuse holders suitable for bolted fuse-links

Rated Current	Type	Connection Method	Fuse Type	Suitable Fuse Range (A)	Cat. No.
20	HD 20H	Both side cable	F1	2-20	ST30772
	HD 20P	Both side busbar	F1	2-20	ST30773
	HD 20B	Top side busbar & bottom cable	F1	2-20	ST30766
32	HD 32H	Both side cable	F1	2-32	ST30733
	HD 32P	Both side busbar	F1	2-32	ST30734
	HD 32B	Top busbar & bottom cable	F1	2-32	ST30735
	HK 32H	Both side cable	A2	4-32	ST30754
	HK 32B	Top busbar & bottom cable	A2	4-32	ST30755
63	HK 63H	Both side cable	A3	35-63	ST30762
	HK 63B	Top busbar & bottom cable	A3	35-63	ST30763
125	HK 125H	Both side cable	A4	80-125	ST30770
	HK 125B	Top busbar & bottom cable	A4	80-125	ST30771



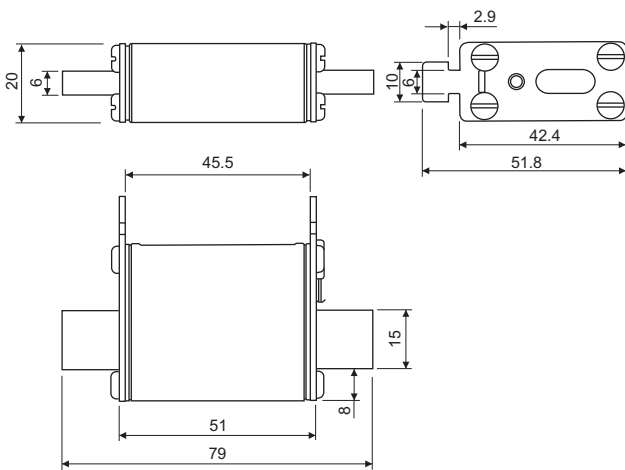
Overall Dimensions

HF Fuse-link

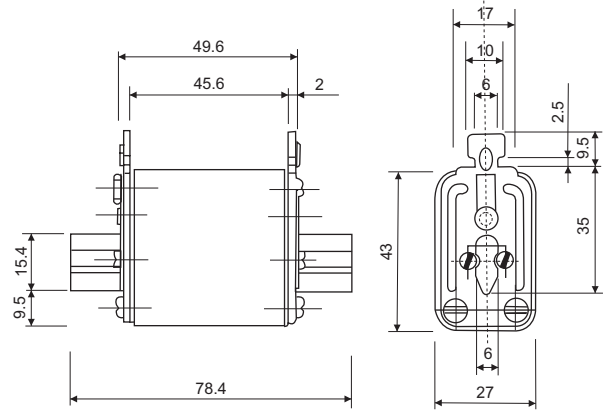


HN Fuse-link

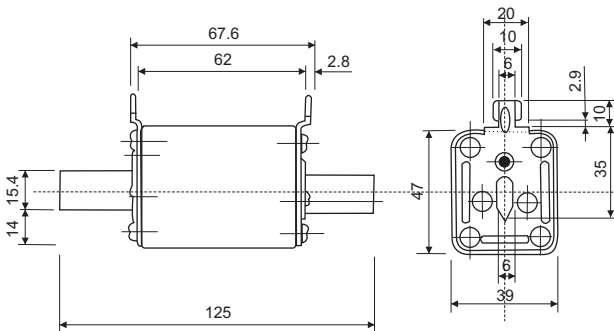
Size 000



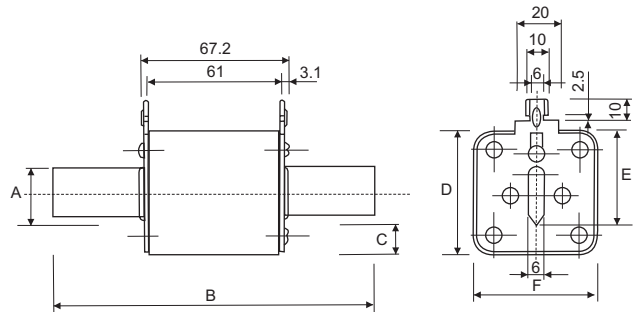
Size 00



Size 0



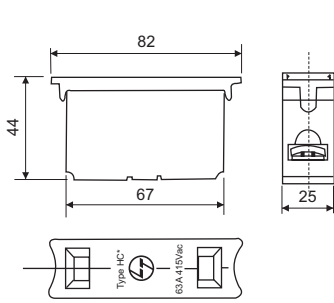
Size 1 / 2 / 3



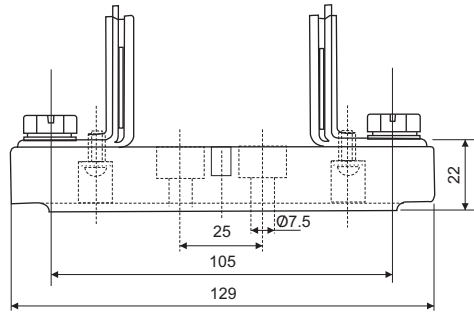
Type	A	B	C	D	E	F
Size 1	20.4	135	11.0	46	40	46
Size 2	25.4	150	14.0	59	48	59
Size 3	32.4	150	17.5	73	60	73

All dimensions are in mm

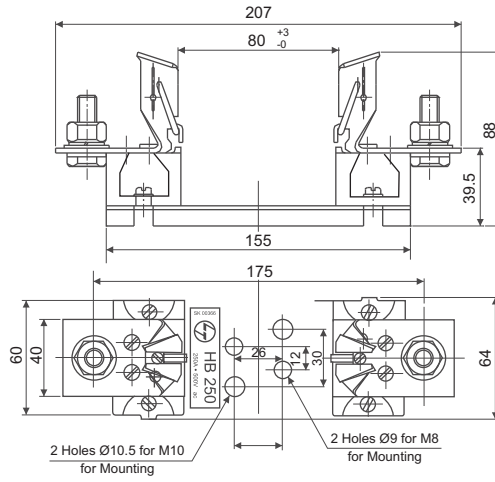
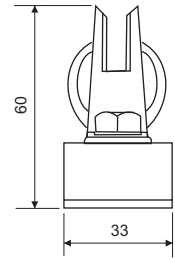
Overall Dimensions



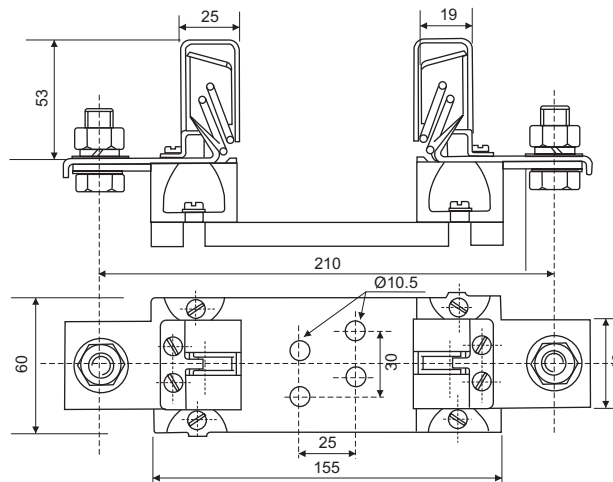
HCO / HC



HB 160



HB 250

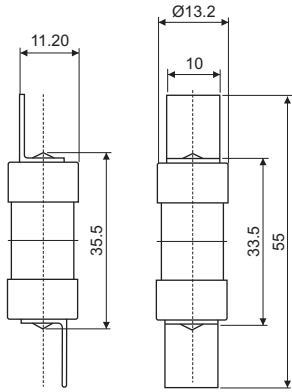


HB 800

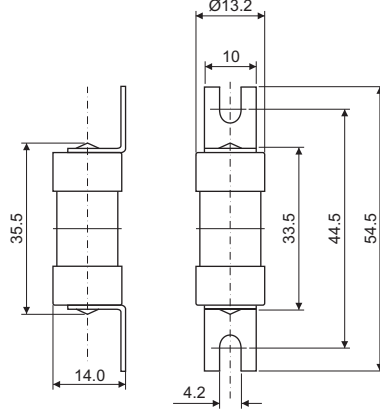
All dimensions are in mm

Overall Dimensions

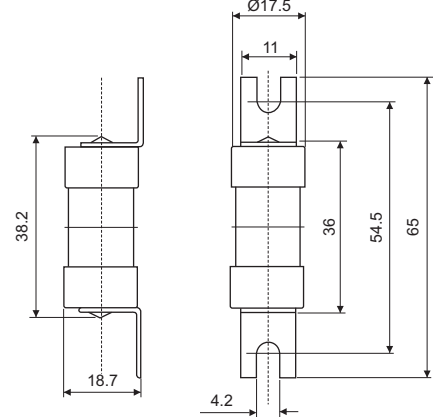
HG, SIZE F1



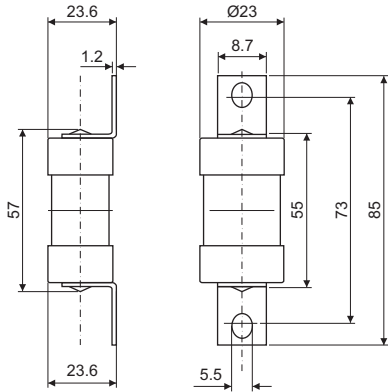
HQ, SIZE A1



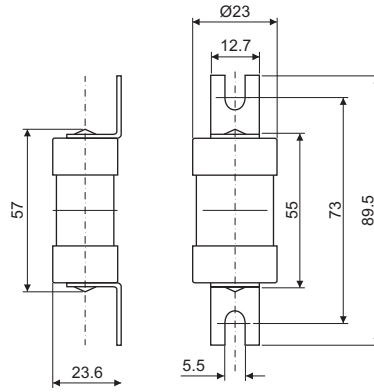
HQ, SIZE A1L



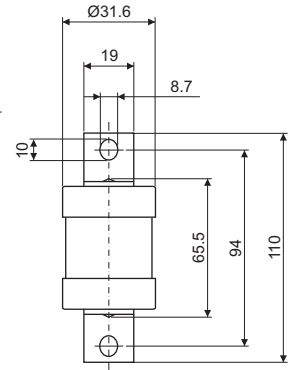
HQ, SIZE A2



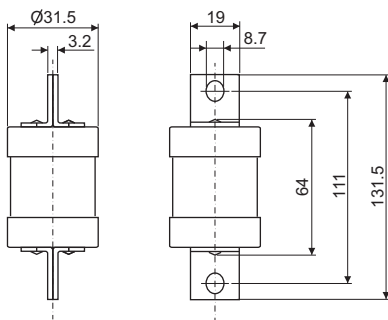
HQ, SIZE A3



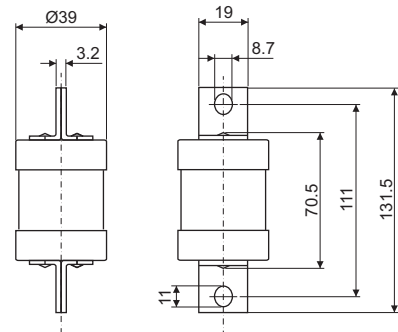
HQ, SIZE A4



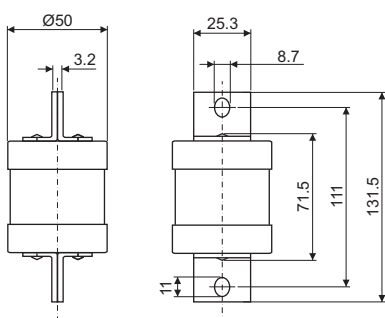
HQ, SIZE B1



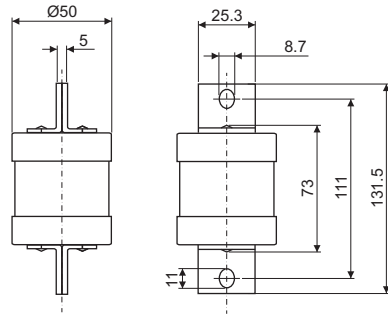
HQ, SIZE B2



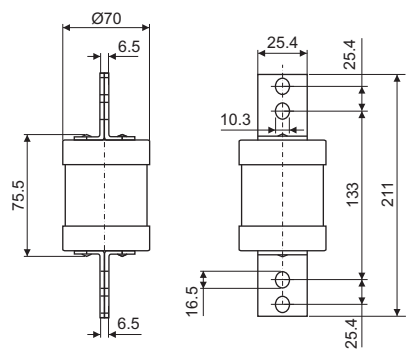
HQ, SIZE B3



HQ, SIZE B4



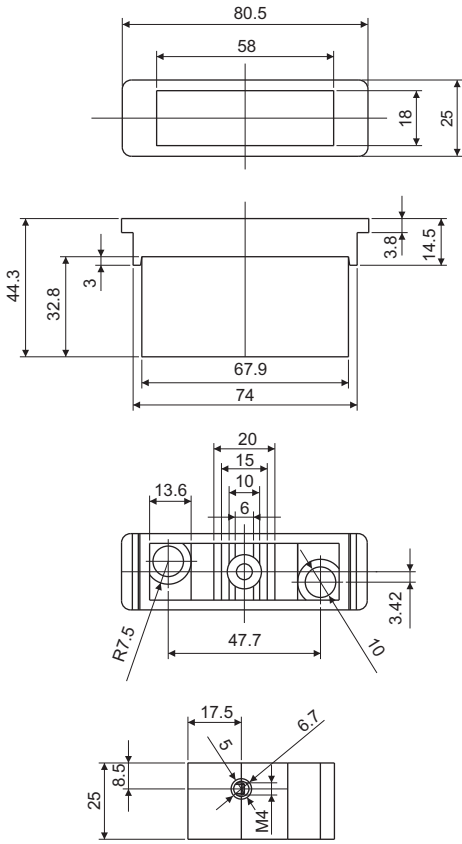
HQ, SIZE C2



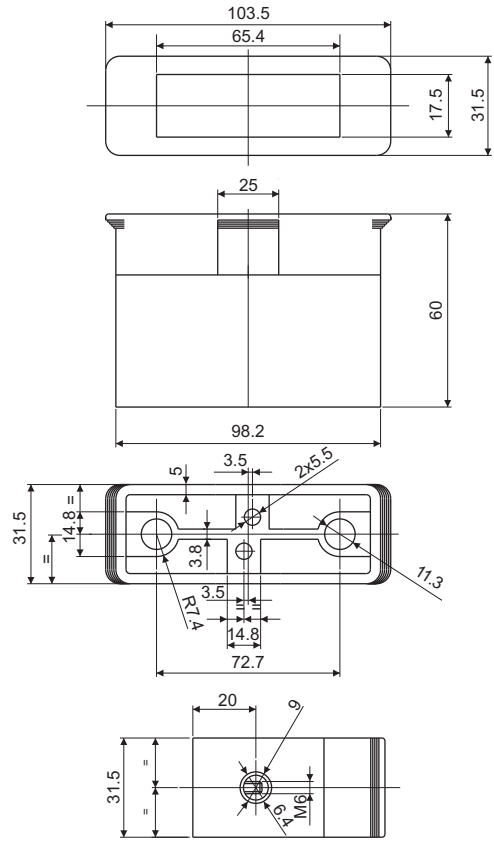
All dimensions are in mm

Overall Dimensions

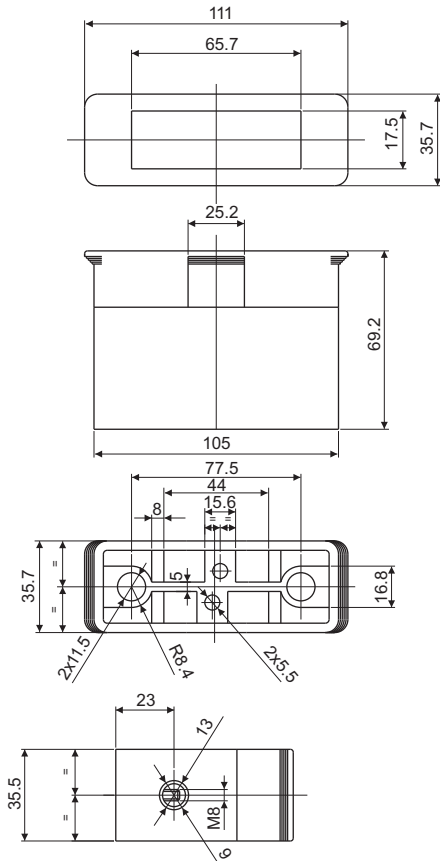
HD 20 / HD 32



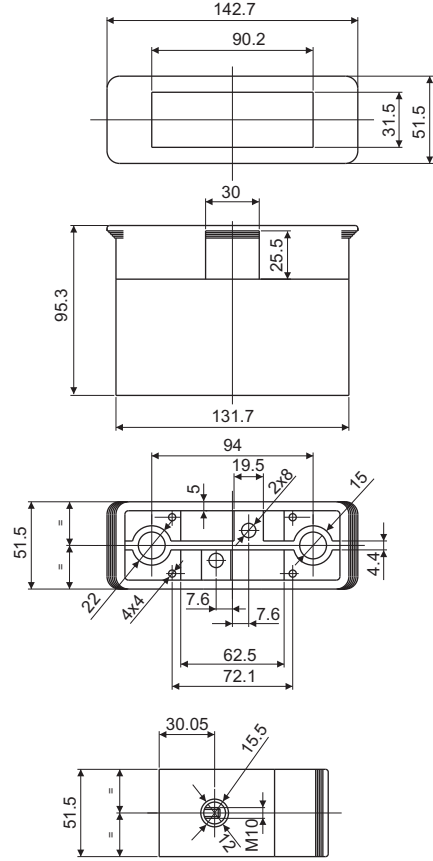
HK 32



HK 63



HK 125

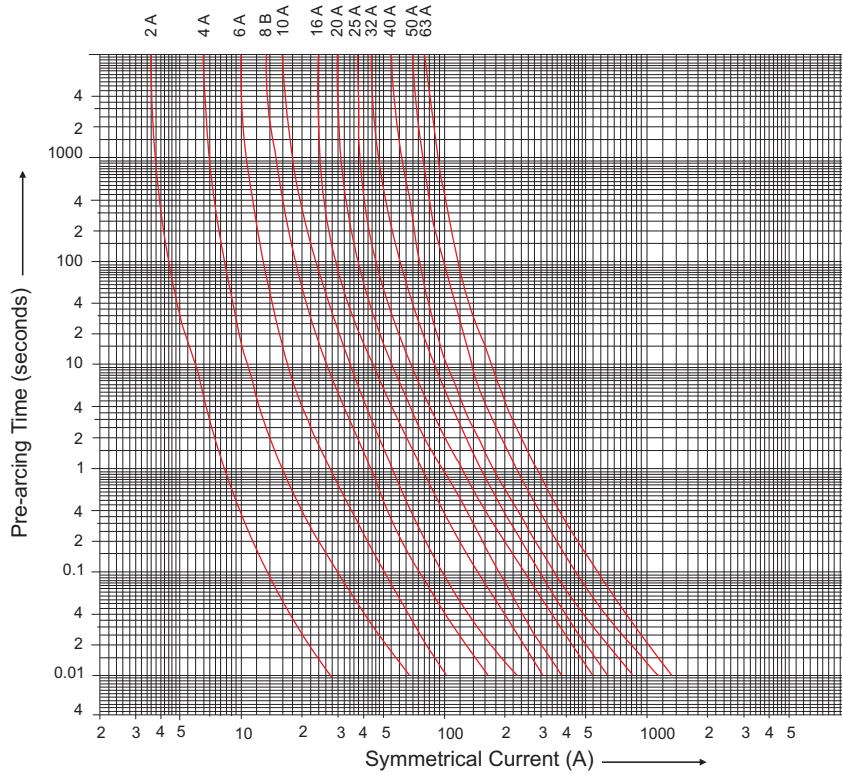


All dimensions are in mm

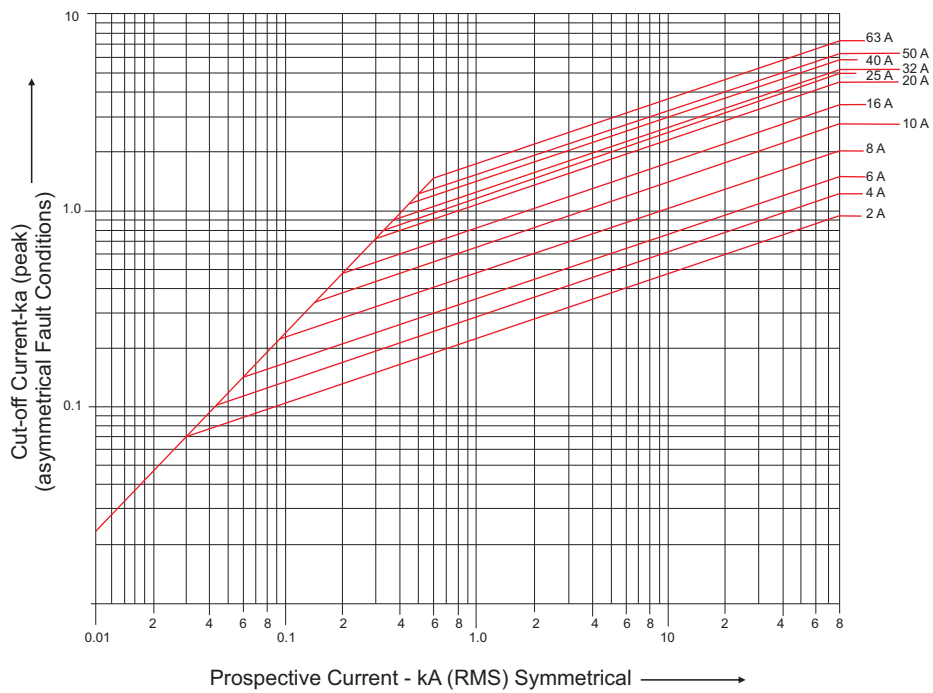
Characteristics Curve

HRC Fuse-links Type HF

Time-Current Characteristics



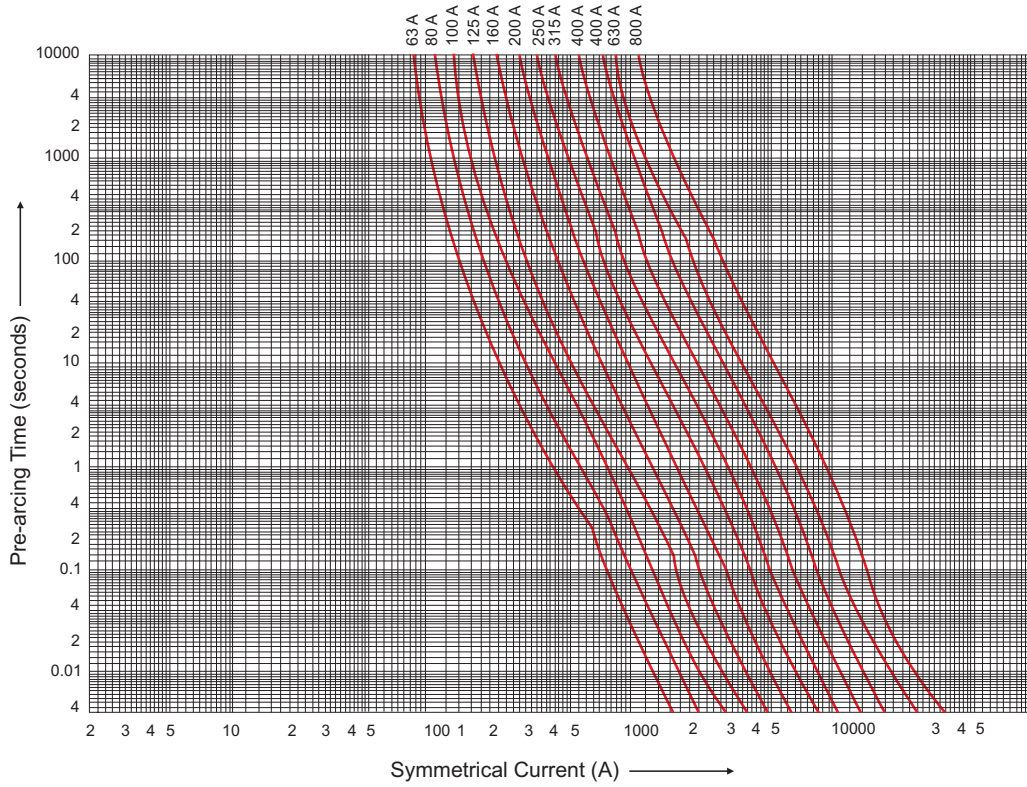
Cut-off Current Characteristics



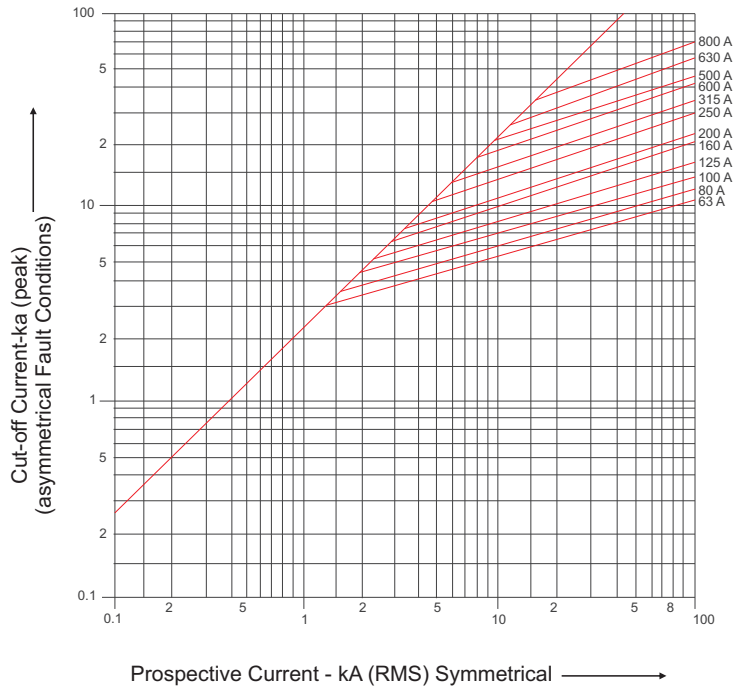
Characteristics Curve

HRC Fuse-links Type HN

Time-Current Characteristics



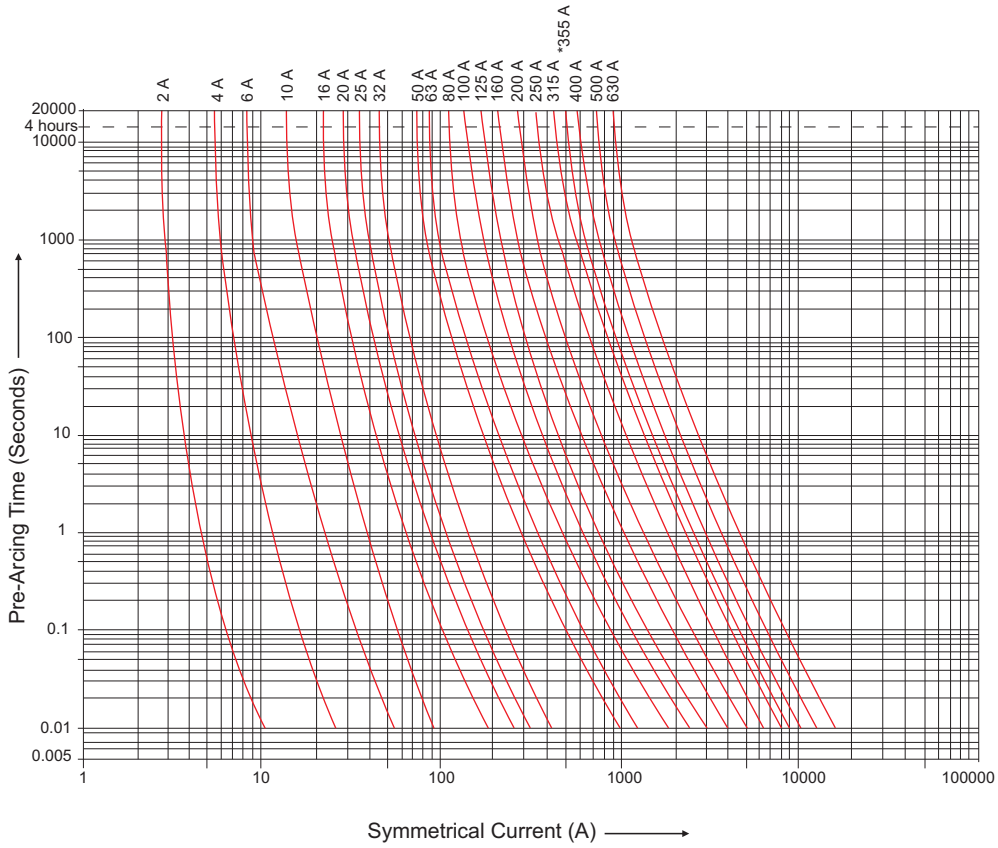
Cut-off Current Characteristics



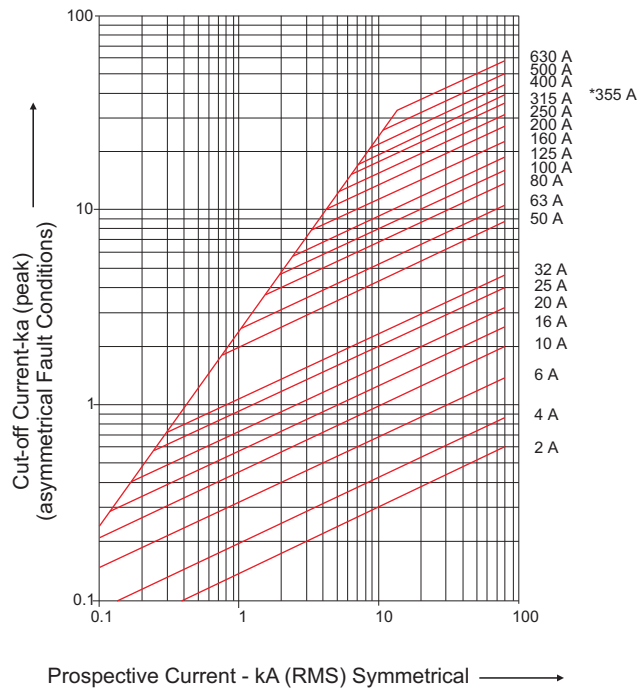
Characteristics Curve

HRC Fuse-links Type HQ

Time-Current Characteristics



Cut-off Current Characteristics



Electrical Standard Products (ESP) Branch Offices:

REGISTERED OFFICE AND HEAD OFFICE

L&T House, Ballard Estate
P. O. Box 278
Mumbai 400 001
Tel: 022-67525656
Fax: 022-67525858
Website: www.Larsentoubro.com

ELECTRICAL STANDARD PRODUCTS (ESP)

501, Sakar Complex I
Opp. Gandhigram Rly. Station
Ashram Road
Ahmedabad 380 009
Tel: 079-66304006-11
Fax: 079-66304025
e-mail: esp-ahm@LNTEBG.com

38, Cubbon Road, P. O. Box 5098
Bangalore 560 001
Tel: 080-25020100 / 25020324
Fax: 080-25580525
e-mail: esp-blr@LNTEBG.com

131/1, Zone II
Maharana Pratap Nagar
Bhopal 462 011
Tel: 0755-4098721 / 7 / 8 / 9
Fax: 0755-2769264
e-mail: esp-bho@LNTEBG.com

Plot No. 559, Annapurna Complex
Lewis Road
Bhubaneswar 751 014
Tel: 0674-6451342, 2436696
Fax: 0674-2537309
e-mail: esp-bbi@LNTEBG.com

SCO 32, Sector 26-D
Madhya Marg, P. O. Box 14
Chandigarh 160 026
Tel: 0172-4646840, 4646853
Fax: 0172-4646802
e-mail: esp-chd@LNTEBG.com

10, Club House Road,
Annasalai
Chennai 600 002
Tel: 044-28462072 / 4 / 5 / 2109
Fax: 044-28462102 / 3
e-mail: esp-maa1@LNTEBG.com

67, Appuswamy Road
Post Bag 7156
Opp. Nirmala College
Coimbatore 641 045
Tel: 0422-2588120 / 1 / 5
Fax: 0422-2588148
e-mail: esp-cbe@LNTEBG.com

L&T House, Group MIG-5
Padmanabhpur
Durg 491 001
Tel: 0788-2213833 / 14 / 21 / 29
Fax: 0788-2213820
e-mail: esp-durg@LNTEBG.com

Khairasol, Degaul Avenue
Durgapur 713 212
Tel: 2559848, 2559849, 2559844
Fax: 0343-2553614
e-mail: esp-dgp@LNTEBG.com

Milanpur Road, Bamuni Maidan
Guwahati 781 021
Tel: 0361-2550562 / 65
Fax: 0361-2551308
e-mail: hazrasudipto@LNTEBG.com

II Floor, Vasantha Chambers
5-10-173, Fateh Maidan Road
Hyderabad 500 004
Tel: 040-67015052
Fax: 040-23296468
e-mail: esp-hyd@LNTEBG.com

Monarch Building, 1st Floor
D-236 & 237, Amrapali Road
Vaishali Nagar
Jaipur 302 021
Tel: 0141-4385914 / 18
Fax: 0141-4385925
e-mail: esp-jai@LNTEBG.com

Akashdeep Plaza, 2nd Floor
P. O. Golmuri
Jamshedpur 831 003
Jharkhand
Tel: 0657-2312205 / 38
Fax: 0657-2341250
e-mail: esp-jam@LNTEBG.com

Skybright Bldg; M. G. Road
Ravipuram Junction, Ernakulam
Kochi 682 016
Tel: 0484-4409420 / 4 / 5 / 7
Fax: 0484-4409426
e-mail: esp-cok@LNTEBG.com

3-B, Shakespeare Sarani
Kolkata 700 071
Tel: 033-44002572 / 3 / 4
Fax: 033-22821025 / 7587
e-mail: esp-ccu@LNTEBG.com

A28, Indira Nagar, Faizabad Road
Lucknow 226 016
Tel: 0522-2312904 / 5 / 6
Fax: 0522-2311671
e-mail: esp-Lko@LNTEBG.com

No: 73, Karpaga Nagar, 8th Street
K. Pudur
Madurai 625 007
Tel: 0452-2537404, 2521068
Fax: 0452-2537552
e-mail: esp-mdu@LNTEBG.com

EBG North Wing Office-Level 2
Gate 7, Powai Campus
Mumbai 400 072
Tel: 022-67052874 / 2737 / 1156
Fax: 022-67051112
e-mail: esp-bom@LNTEBG.com

12, Shivaji Nagar
North Ambazari Road
Nagpur 440 010
Tel: 0712-2260012 / 3
Fax: 0712-2260020 / 30
e-mail: esp-nag@LNTEBG.com

32, Shivaji Marg
P. O. Box 6223
New Delhi 110 015
Tel: 011-41419514 / 5 / 6
Fax: 011-41419600
e-mail: esp-del@LNTEBG.com

L&T House
P. O. Box 119
191/1, Dhole Patil Road
Pune 411 001
Tel: 020-26135048 / 26164048
Fax: 020-26124910, 26135048
e-mail: esp-pnq@LNTEBG.com

3rd Floor
Vishwakarma Chambers
Majura Gate, Ring Road
Surat 395 002
Tel: 0261-2473726
Fax: 0261-2477078
e-mail: esp-sur@LNTEBG.com

Radhadaya Complex
Old Padra Road
Near Charotar Society
Vadodara 390 007
Tel: 0265-6613610 / 1 / 2
Fax: 0265-2336184
e-mail: esp-bar@LNTEBG.com

48-8-16, Dwarakanagar
Visakhapatnam 530 016
Tel: 0891-6620411-2 / 3
Fax: 0891-6620416
e-mail: esp-viz@LNTEBG.com

Product improvement is a continuous process. For the latest information and special applications, please contact any of our offices listed here.



Larsen & Toubro Limited
Electrical Standard Products
Powai Campus, Mumbai 400 072
Customer Interaction Center (CIC)
BSNL / MTNL (toll free) : 1800 233 5858
Reliance (toll free) : 1800 200 5858
Tel : 022 6774 5858, Fax : 022 6774 5859
E-mail : cic@LNTEBG.com
Website : www.LNTEBG.com